

**COMPACT TRACK LOADERS
TR270 | TR320 | TV380**

CASE

CONSTRUCTION



**POWER OUTSIDE,
COMFORT INSIDE**

www.casece.com

**EXPERTS FOR THE REAL WORLD
SINCE 1842**

MAIN REASONS TO CHOOSE THE COMPACT TRACK LOADERS



HIGH ROC

With added counterweights



HIGH VERSATILITY

Wide range of attachments.
Different auxiliary hydraulic solutions
to feed them.



SIMPLE AND ROBUST UNDERCARRIAGE

Designed to grant stability on steep slopes and to
command the machine on muddy or sandy terrains.



RADIAL AND VERTICAL BOOM

Radial for digging and pushing.
Vertical for loading and carrying.



FAST ATTACHMENT CHANGE OVER

Mechanic or hydraulic quick coupler.
Connect Under Pressure (CUP) system to plug
hydraulic hoses with no wrenches.



HIGH VISIBILITY

Unique side Lighting.
Large side windows for an excellent visibility.
Better sight lines to the tires, bucket edge, curb lines and even to the rear when backing up.



PRO COVER PROTECTION PLAN 2 YEARS / 2,000 HOURS

ProCover is designed to help keep your equipment working well beyond the manufacturer's base warranty period while taking away the concerns of the cost and inconvenience of mechanical failure.



EASY ACCESS

Wider cab entrance.
Lower threshold.
Longer and ergonomic handles.



VERSATILE CONTROLS

Mechanical or EH customizable controls.
Speed and sensitivity can easily be adjusted.
ISO-H switchable controls.
Ride Control for a greater operator comfort.



OUTSTANDING STABILITY

Longer wheelbase.
Optimized weight distribution.



TOP RANKING BREAKOUT FORCE

Aggressive cylinder mounting for superior digging efficiency.



FEATURES



SIMPLE AND ROBUST UNDERCARRIAGE

To ensure long-lasting operativity

The new Case compact track loaders feature a robust undercarriage, engineered to hold fast on steep slopes and take command of muddy or sandy terrain. The undercarriage has a rigid-track frame with fewer moving parts for greater durability and easier maintenance than suspension-track systems.



HIGH ROC

with bolt-on counterweights

Simply bolt on additional counterweights to the rear sides of the machine. Increase ROC by adding counterweights to move more material, more quickly. Decrease ROC (operating without counterweights to keep fuel costs down and decrease ground disturbance.



RADIAL AND VERTICAL BOOM

Extended line up to meet any customer need

CASE has revised its compact track loader line up to grant performance and productivity to an ever wider range of customers. The revised CASE CTL range includes two radial lift compact track loader and one vertical lift compact track.



PRO COVER PROTECTION PLAN 2 YEARS / 2,000 HOURS

When the unexpected occurs, you need to know your equipment is protected.

We understand the importance of your machinery being in good working order and additionally to the STANDARD PROTECTION PLAN we offer you to purchase supplementary years/hours to meet your needs.



HIGH VISIBILITY

Wider glazed surface for safer operations

The large glazed surface with ultra-narrow wire side screens, the lowered threshold and thinner front pillars provide the best visibility in the market (ROPS / FOPS cab).



EASY ACCESS

Safety first

Low threshold, together with convenient grab handles make accessing the cab easy and safe.

POWERFUL, COMFORTABLE, VERSATILE



VERSATILE CONTROLS

Tailor-made performance

The upgraded Case CTL now offer EZ-EH (electrohydraulic) controls and software. Operators can quickly change between nine presets for speed and control customization.

FREE TO CHOOSE THE MOST SUITABLE CONTROL

Mechanical or Electro Hydraulic controls

All controls are within easy reach and you can choose among mechanical hand drive levers or mechanical foot drive pedals, or electro-hydraulic controls.

Proportional auxiliary hydraulics

Standard Proportional control of Auxiliary Hydraulics with detent for smooth and precise attachment control. legroom, more space between the control levers and easy access to the seat.



OUTSTANDING STABILITY

with Case power stance chassis

Our power stance chassis rides on a 21% longer wheelbase, delivering greater stability and comfort and allowing increased lifting capabilities, regardless of jobsite conditions.



TOP RANKING BREAKOUT FORCE

Case cylinder and chassis design provides maximised pushing power

The cylinder geometry optimises the compact track push and pull power, while the bucket support bearing directly on the chassis of the machine further adds to its pushing power.



FAST ATTACHMENT CHANGE OVER

Hydraulic Coupler Option

An optional hydraulic attachment coupler increases both operator comfort and uptime on the job site since attachments can be exchanged quickly and safely without leaving the cab.



HIGH VERSATILITY

Hydraulics simplified. Versatility maximised

Connect Under Pressure (CUP) system to plug hydraulic hoses with no wrenches.

Three different Auxiliary Hydraulics Packages offered: Standard Flow Package, High Flow Package and Enhanced High Flow Package.

APPLICATIONS



URBAN

Snow and dust removal

In winter, CASE Compact Track Loaders equipped with snow blades or buckets, snow blowers or pushers, sand and salt dispensers will deal efficiently with obstructions and hazards brought by abundant snowfall, ensuring safe and easy access to residential roads and sidewalks for vehicles and pedestrians.

In the summer, CASE Compact Track Loaders mounting buckets, forks, booms or grapples will easily clean away dirt, dust and rubbish.



Light construction

Low-rise construction (cottages, town houses, small industrial and commercial outlets) is very popular in suburban and rural areas.

CASE Compact Track Loaders equipped with backhoes, hammers or trenchers can provide contractors with highly effective and flexible support.



A PARTNER FOR EVERY JOB



LANDSCAPES Environment care

CASE builds some of the most reliable, responsive, and comfortable landscaping equipment in the industry. Whatever the task, from landscape and hardscape installation to ground keeping, you can depend on CASE to help your team work faster, not harder.



ROADS AND BRIDGES Valuable assistance

Cold planer, rock saw, concrete bucket – these and many other powerful attachments make CASE Compact Track Loaders a valuable asset in projects big and small, right down to the small and important jobs such as pothole patching.



AGRICULTURE Wide field

Farmers – from dairy operations to cattle livestock farms – trust CASE Construction Equipment for a wide variety of tasks: clean stalls, load silage and clear land to make it work for them. A vast range of attachments is available to farmers in order to get their agricultural jobs done, faster and with ease.





CASE

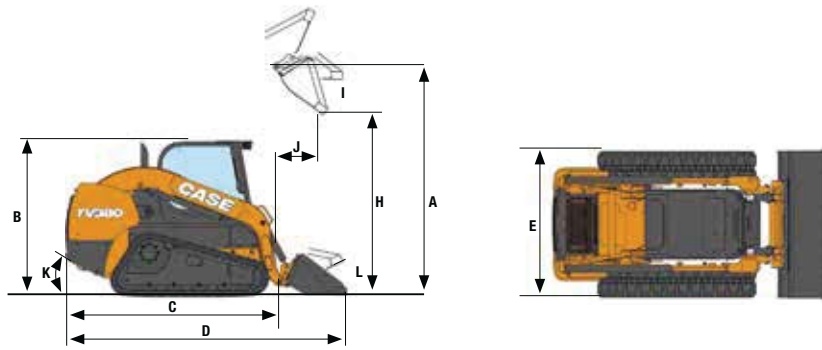
TR320

AM



COMPACT TRACK LOADERS

SPECIFICATIONS



GENERAL DIMENSIONS

	TR270	TR320	TV380
A - Height to Bucket Hinge Pin	3124 mm	3115 mm	3342 mm
B - Height to Top of ROPS	1998 mm	2043 mm	2043 mm
C - Length without attachment	2669 mm	2981 mm	2990 mm
D - Length with bucket *	3292 mm	3611 mm	3604 mm
E - Overall Width	1676 mm	1930 mm	1930 mm
G - Ground Clearance	203 mm	243 mm	243 mm
H - Dump height *	2495 mm	2602 mm	2669 mm
I - Dump Angle	40°	38°	54°
J - Dump Reach @ Max Height	568 mm	548 mm	798 mm
K - Angle of Departure	32°	32°	32°
L - Rollback Angle (Bucket on Ground)	31°	30°	34°

SPECIFICATIONS

	TR270	TR320	TV380
PERFORMANCE SPECS			
Rated Operating Capacity 50%	1.225	1.451	1.723
Rated Operating Capacity 35%	859	1.018	1.209
Tipping Load	2.449 kg	2.902 kg	3.447 kg
Lift Cylinder Breakout Force*	27 kN	34,5 kN	26,8 kN
Bucket Cylinder Breakout Force*	32,3 kN	38,7 kN	33,4 kN
ENGINE			
Engine Brand	FPT	FPT	FPT
Displacement	3.2 l	3.2 l	3.2 l
Gross Horsepower	74 hp @ 2.500 rpm	90 hp @ 2.500 rpm	90 hp @ 2.500 rpm
Peak torque	275 Nm @ 1.400 rpm	383 Nm @ 1.400 rpm	383 Nm @ 1.400 rpm
TRAVEL SPEED			
Low Range	8.2 km/h	8.2 km/h	8.2 km/h
High Range (Optional)	12.2 km/h	12.2 km/h	12.2 km/h
HYDRAULIC SYSTEM			
Pump flow	85 LPM	85 LPM	85 LPM
Optional high flow	117 LPM	131 LPM	131 LPM
WEIGHTS			
Operating Weight**	3.750 kg	4.355 kg	4.625 kg
Shipping Weight	3.615 kg	4.200 kg	4.475 kg
SERVICE CAPACITY			
Fuel Tank	75.5 l	96.5 l	96.5 l

* Breakout forces estimated considering both tip and hydraulic limits

** Included bucket, operator 75 kg, full fuel tank





PARTS AND SERVICE

Wide network of customer support across the world.

No matter where you work, we're here to support and protect your investment and exceed your expectations. You can count on Case and your Case dealer for full-service solutions-productive equipment, expert advice, flexible financing, genuine Case parts and fast service. We're here to provide you with the ultimate ownership experience. To locate a Case dealer or learn more about Case equipment or customer service, go to www.casece.com

NOTE: CASE provides specific outfits for various countries and many optional fittings (OPT). The illustrations on this or other leaflets may relate to standard or optional fittings. Please consult your CASE dealer for any information in this regard and any possible updating on components. CNH Industrial reserves the right to modify machine specifications without incurring any obligation relating to such changes.

