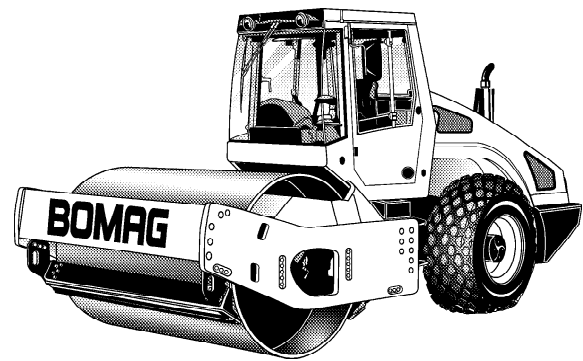


BOMAG

SINGLE DRUM VIBRATORY ROLLERS BW 219 DH-4, BW 219 PDH-4

PERFORMANCE DATA



Machine type	Compaction output (m ³ /h)			
	Rock fill	Gravel, sand	Mixed soil	Silt, clay
BW 219 DH-4	940-1880	700-1400	560-960	250-500
BW 219 PDH-4	940-1880	700-1400	560-960	280-560

Machine type	Compacted layer thickness (m)			
	Rock fill	Gravel, sand	Mixed soil	Silt, clay
BW 219 DH-4	1,60	1,20	0,80	0,35
BW 219 PDH-4	1,60	1,20	0,80	0,40

BOMAG

Technical Data

Shipping dimensions in m3

	without ROPS	with ROPS
BW 219 DH-4	33,353	44,053
BW 219 PDH-4	33,353	44,053

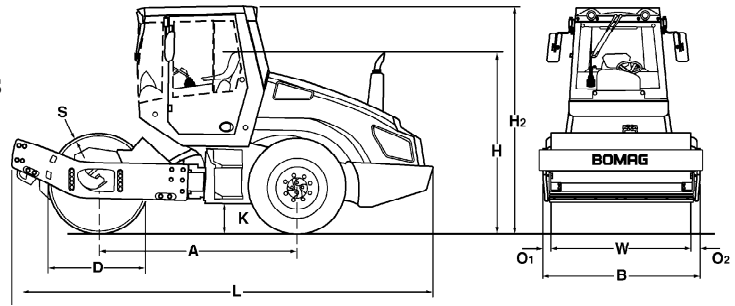
Standard Equipment

- Warning, information and operation displays with LCD
- Hydrostatic travel and vibration drive
- Anti Slip Control (ASC)
- Hydrostatic articulated steering
- Articulated joint lock
- Rear axle with twin spring accumulator brakes
- No-Spin differential lock
- Warning horn
- Single lever control for travel and vibration
- Swivel seat, adjustable in height and longit. direction, with two armrests
- Contact scrapers (DH:Plastic)
- Scrapers (PDH:Steel)
- Emergency STOP
- Noise insulation
- Back-up warning system
- BOMAG ECOMODE
- Engine-TIER III

Optional Equipment

- * ROPS/FOPS cabin with seat belts
- * Working lights front/rear
- ROPS with safety belt
- Rotary beacon
- Indicator and hazard lights
- Contact scrapers (DH:Steel)
- BOMAG Evib-Meter (BEM)
- TERRAMETER BTMplus
- TERRAMETER BTMprof
- BEM/BCM05
- TERRAMETER/BCM05
- Special painting
- Environmentally compliant hydraulic oil
- Air condition
- Sun roof
- Slideable seat (DH/PDH)
- Warning, information and operation displays
- Padfoot segment kit
- Radio
- Protective ventilation system

* Standard delivery with CE conformity (valid within European Union)



Dimensions in mm

	A	B	D	H	H2	K	L	O1	O2	S	W
BW 219 DH-4	3255	2300	1600	2288	3022	450	6338	85	85	40	2130
BW 219 PDH-4	3255	2300	1500	2288	3022	450	6338	85	85	35	2130

Technical Data

Weights

	BOMAG BW 219 DH-4	BOMAG BW 219 PDH-4
Grossweight	20.930 kg	19.900
Operating weight CECE w. ROPS-cabin	19.200 kg	19.650
Axle load, drum CECE	12.900 kg	13.350
Axle load, wheels CECE	6.300 kg	6.300
Static linear load CECE	60,6 kg/cm	

Dimensions

	BOMAG BW 219 DH-4	BOMAG BW 219 PDH-4
Working width	2.130 mm	2.130
Track radius, inner	3.890 mm	3.890

Driving Characteristics

	BOMAG BW 219 DH-4	BOMAG BW 219 PDH-4
Speed (1)	0- 13,0 km/h	0- 13,0
Max. gradeability without/with vibr.	58/55 %	60/58

Drive

	BOMAG BW 219 DH-4	BOMAG BW 219 PDH-4
Engine manufacturer	Deutz	Deutz
Type	TCD 2012 L06	TCD 2012 L06
Cooling	water	water
Number of cylinders	6	6
Performance ISO 3046	150 kW	150
Performance SAE J 1995	201 hp	201
Speed	2.200 min-1	2.200
Fuel	diesel	diesel
Electric equipment	12 V	12
Drive system	hydrost.	hydrost.
Drum driven	standard	standard

Drums and Tyres

	BOMAG BW 219 DH-4	BOMAG BW 219 PDH-4
Number of pad feet		150
Area of one pad foot		137 cm ²
Height of pad feet		100 mm
Tyre size	23.1-26/12PR	23.1-26/12PR

Brakes

	BOMAG BW 219 DH-4	BOMAG BW 219 PDH-4
Service brake	hydrost.	hydrost.
Parking brake	hydromec.	hydromec.

Steering

	BOMAG BW 219 DH-4	BOMAG BW 219 PDH-4
Steering system	oscil.artic.	oscil.artic.
Steering method	hydrost.	hydrost.
Steering / oscillating angle +/-	35/12 grad	35/12

Exciter system

	BOMAG BW 219 DH-4	BOMAG BW 219 PDH-4
Drive system	hydrost.	hydrost.
Frequency (1)	26 Hz	26
Frequency (2)	31 Hz	31
Amplitude	2,10/1,20 mm	1,90/1,00
Centrifugal force	326/240 kN	326/240
Centrifugal force	33,3/24,5 t	33,3/24,5

Capacities

	BOMAG BW 219 DH-4	BOMAG BW 219 PDH-4
Fuel	340 l	340

Technical modifications reserved. Machines may be shown with options.

BOMAG
 Hellerwald
 D-56154 Boppard
 P.O. Box 5162
 Tel. (0)6742 - 1000
 Fax (0)6742 - 3090
 Fax (0)6742 - 3090

BOMAG