



Reversible
Soil Compactors

CR 3 / CR 5

Safety and Comfort.
Hydraulic control for infinitely variable forward and reverse travel with emergency stop (deadman function). The low-vibration guide bar minimizes hand/arm vibrations.



Comprehensive engine protection.
The engine is protected against external damage by a rugged protection frame and engine cover.



CR 3 Hd

Do not compromise!

High operating comfort, optimal compaction result and sturdy quality: these are the requirements that soil compactors of the CR 3 and CR 5 series meet impressively.

- The operator's low exposure to hand/arm vibrations, optimized running qualities and high gradeability assure maximum operating comfort.
- High centrifugal forces and the hydraulic control for infinitely variable forward and reverse travel are the basis for an optimum compaction of almost all materials encountered in

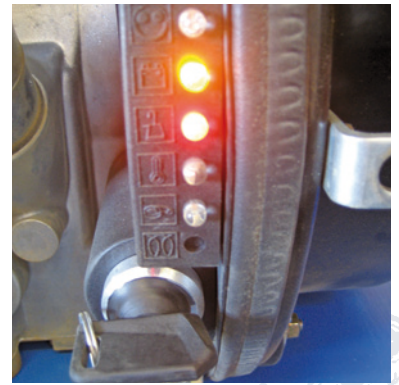
earthworks. Universal application possibilities for the machines including compaction of interlocking paving stones ensure high utilization rates in machinery rental fleets.

- The durable and rugged quality manifests itself in many details, such as the well-built engine protection frame with additional cover, self-adjusting centrifugal clutch and of course 24 months manufacturer's warranty.

Reliable and easy to maintain.
The self-adjusting centrifugal clutch eliminates the need to periodically retighten the V-belt.



Everything under control.
With electric starter, the CR 3 E and the CR 5 E offer top operating convenience.



Safety and reliability

- ▶ Reduced hand/arm vibrations.
- ▶ Low noise emissions.
- ▶ Simple maintenance as all maintenance components are easily accessible.
- ▶ Safe and quick loading thanks to the large, folding lifting hook.
- ▶ Optimum operating convenience due to the height-adjustable and low-vibration guide bar.
- ▶ Flexible use as the working width is variable by means of extension plates.

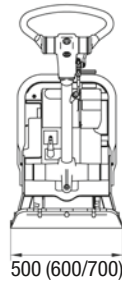
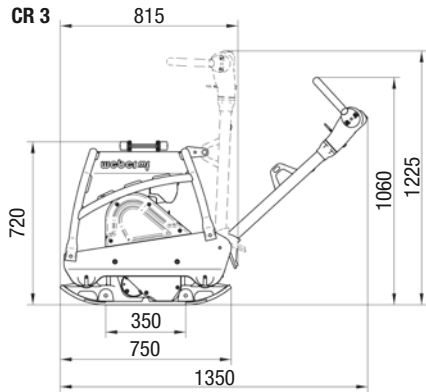
Available options

- ▶ Extension plates, Poly pad, wheel kit.

Technical data

Type		CR 3	CR 3 E	CR 3 Hd
Operating weight to CECE	kg (lbs)	206 (454)	224 (494)	203 (448)
Centrifugal force	kN (lbs)	35 (7875)	35 (7875)	35 (7875)
Frequency	Hz (r.p.m.)	80 (4800)	80 (4800)	80 (4800)
Operating width	mm (in.)	500/600*/700* (20/24*/28*)	500/600*/700* (20/24*/28*)	500/600*/700* (20/24*/28*)
Engine manufacturer		Hatz 1 B 20	Hatz 1 B 20	Honda GX 270
Engine type		Diesel	Diesel	Gasoline
Engine power output, max.	kW (HP)	3.4 (4.6)	3.4 (4.6)	6.0 (8.2)
Power output at operating speed	kW (HP)	3.1 (4.2) at 3,000 rpm	3.1 (4.2) at 3,000 rpm	5.1 (7.0) at 3,000 rpm
Starter		Recoil	Electric	Recoil
Working speed	m/min. (ft/min.)	0-20 (0-66)	0-20 (0-66)	0-20 (0-66)
Recommended temperature range	°C	0-45	0-45	0-45

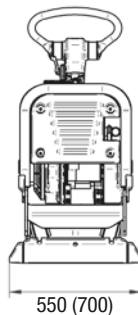
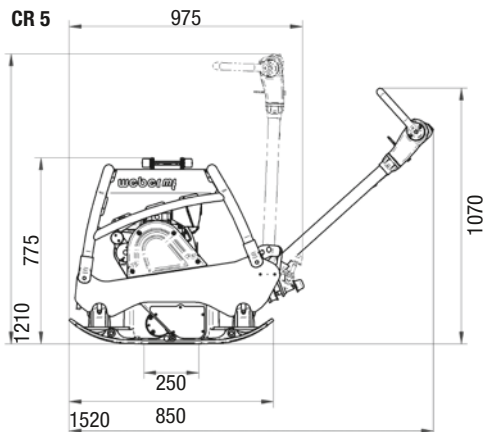
*Operating width with extension plates.



Dimensions in mm.

Type		CR 5	CR 5 E	CR 5 Hd
Operating weight to CECE	kg (lbs)	281 (618)	298 (656)	273 (600)
Centrifugal force	kN (lbs)	42 (9450)	42 (9450)	42 (9450)
Frequency	Hz (r.p.m.)	75 (4200)	75 (4200)	75 (4200)
Operating width	mm (in.)	550/700* (22/28*)	550/700* (22/28*)	550/700* (22/28*)
Engine manufacturer		Hatz 1 B 30	Hatz 1 B 30	Honda GX 270
Engine type		Diesel	Diesel	Gasoline
Engine power output, max.	kW (HP)	5.4 (7.4)	5.4 (7.4)	6.0 (8.2)
Power output at operating speed	kW (HP)	4.6 (6.2) at 3,000 rpm	4.6 (6.2) at 3,000 rpm	5.1 (7.0) at 3,000 rpm
Starter		Recoil	Electric	Recoil
Working speed	m/min. (ft/min.)	0-24 (0-79)	0-24 (0-79)	0-24 (0-79)
Recommended temperature range	°C	0-45	0-45	0-45

*Operating width with extension plates.



Dimensions in mm. We reserve the right to alter specifications.