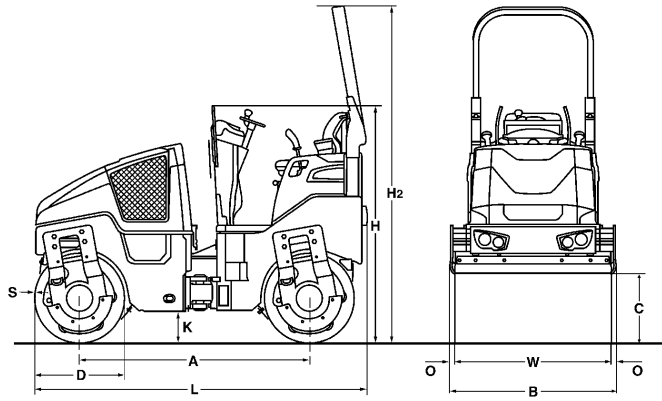


# TECHNICAL DATA

TANDEM ROLLERS

BW 100 AD-5, BW 120 AD-5





**Dimensions in inch**

	<b>A</b>	<b>B</b>	<b>C</b>	<b>D</b>	<b>H</b>	<b>H2</b>	<b>K</b>	<b>L</b>	<b>O</b>	<b>S</b>	<b>W</b>
<b>BW 100 AD-5</b>	69.0	42.2	20.6	27.6	71.2	101.1	10.0	99.6	1.4	0.51	39.4
<b>BW 120 AD-5</b>	69.0	50.1	20.6	27.6	71.2	101.1	10.0	99.6	1.4	0.51	47.2

**Shipping dimensions in cub.yd**

**BW 100 AD-5**  
**BW 120 AD-5**

**without ROPS**

6,413  
7,614

**with ROPS**

9,106  
10,811

<b>Machine type</b>	<b>Compaction output (cub.yd/h) at recommended soil layer thicknesses</b>		
	<b>Gravel, sand</b>	<b>Mixed soil</b>	<b>Silt, clay</b>
BW 100 AD-5	104.6-189.7	71.9-137.3	49.7-95.5
BW 120 AD-5	111.2-222.4	85.0-163.5	56.2-111.2

<b>Machine type</b>	<b>Compaction output (t/h) at different asphalt layer thicknesses</b>		
	<b>0.8-1.6 in</b>	<b>2.4-3.1 in</b>	<b>3.9-4.7 in</b>
BW 100 AD-5	19.6-52.3	52.3-78.5	78.5-130.8
BW 120 AD-5	26.2-58.9	52.3-91.6	91.6-157.0

**Technical Data**

**BOMAG  
BW 100 AD-5**

**BOMAG  
BW 120 AD-5**

**Weights**

Operating weight w. ROPS CECE .....	lb	5,512	5,953
Average static linear load CECE .....	lb/in	70.0	63.0
Grossweight .....	lb	7,716	8,047

**Dimensions**

Working width .....	in	39.4	47.2
Track radius, inner .....	in	100.4	96.5

**Driving Characteristics**

Speed .....	mph	0- 6.2	0- 6.2
Working speed with vibration .....	mph	0- 6.2	0- 6.2
Max. gradeability without/with vibr. ....	%	40/30	40/30

**Drive**

Engine manufacturer .....		Kubota	Kubota
Type .....		D 1703	D 1703
Emission stage .....		Stage IIIa / TIER4i	Stage IIIa / TIER4i
Cooling .....		water	water
Number of cylinders .....		3	3
Performance ISO 14396 .....	hp	32.6	32.6
Performance SAE J 1995 .....	hp	32.6	32.6
Speed .....	rpm	2,600	2,600
Speed adjustment 1 .....	rpm	2,500	2,500
Speed adjustment 2 .....	rpm	2,600	2,600
Electric equipment .....	V	12	12
Driven drum .....		front + rear	front + rear

**Brakes**

Service brake .....		hydrost.	hydrost.
Parking brake .....		hydromec.	hydromec.

**Steering**

Steering system .....		oscil.artic.	oscil.artic.
Steering method .....		hydrost.	hydrost.
Steering / oscillating angle +/- .....	deg	32/10.0	32/10.0
Crab walk .....	in	0- 2.0	0- 2.0

**Exciter system**

Vibrating drum .....		front + rear	front + rear
Drive system .....		hydrost.	hydrost.
Frequency .....	vpm	3,780.0/4,020.0	3,780.0/4,020.0
Amplitude .....	in	0.020	0.020
Centrifugal force .....	lb	6,699/7,576	8,093/9,172

**Sprinkler System**

Type of sprinkling .....		pressure	pressure
--------------------------	--	----------	----------

**Capacities**

Fuel .....	gal	9.2	9.2
Water .....	gal	54.2	54.2

Technical modifications reserved. Machines may be shown with options.

### Standard Equipment

- Hydrostatic travel and vibration drive
- Travel drive in series
- 2 scrapers per drum, spring loaded and tiltable
- Pressure sprinkler system with interval switch
- Multi function travel lever
- Multi-function display incl. operating hour meter
- Water level
- Emergency STOP
- Individual control, vibration
- Intelligent Vibration Control (IVC)
- Integrated storage compartment
- Adjustable operator's seat
- Seat contact switch
- Vandalism protection
- 12V socket
- Working lights front and rear
- Back-up alarm
- Lashing eyes, galvanized
- Single point lifting device
- Lockable engine hood made of composite material

### Optional Equipment

- \* Foldable ROPS incl. seat belt
- Sun roof, foldable with ROPS
- Weather protection for sun roof
- Seat heating
- Sliding seat incl. double travel lever
- ECONOMIZER with asphalt temperature display
- Temperature display
- BOMAG TELEMATIC
- Indicator and hazard lights
- Rotary beacon
- Optional lighting on ROPS
- Lighting for drum edge
- Battery disconnect switch
- Environmentally compliant hydraulic oil
- Theft protection
- Edge cutter-right/left
- Gravel scrapper
- Hydraulically adjustable crabwalk (1.97in)
- Pointer
- Special painting
- Backup warning buzzer with broadband technology
- Flow divider
- ECOSTOP
- Outside mirrors
- Anti-frost intake
- Tablet holder set
- JOBLINK measuring technology interface
- JOBLINK Bluetooth adapter
- BOMAP GPS antenna holder

\* Standard delivery with CE conformity  
(valid within European Union)



PRUS 880 21 010

080922 Sa06

**BOMAG Americas, Inc.**  
125 Blue Granite Parkway  
Ridgeway, SC 29130  
USA  
Tel. +1 803 3370700  
Fax +1 803 3370800  
[www.bomag.com/us](http://www.bomag.com/us)

