

ViO45-6B
29.6kW(39.7hp)

ViO55-6B
36.1kW(48.4hp)



Cabin spec



Canopy spec

ADVANCED PRODUCT SUPPORT WITH NEW OPERATION CONTROL SYSTEM

The new ViO comes with the operation control system that enables operator to monitor the operation history of past 3 months.

Warning indicators LED lamp

Clock

Hour meter

Fuel gauge

Function key guidance

Function keys

Water temperature gauge

Maintenance item icon

Maintenance item name

Accumulated maintenance times

Maintenance intervals

Operation history can be checked through calendar

Details

Engine oil filter 100h/ 500h

2012/03
Mon Tue Wed Thu Fri Sat Sun
5 6 7 8 9 10 11
12 13 14 15 16 17 18
19 20 21 22 23 24 25
26 27 28 29 30 31

2012/03/21
AM 2.6 h
PM 0.0 h
2.6 h

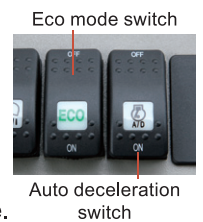
Yanmar Smart Assist can be set as on option

The system performs centralized control of machine operation information, maintenance support information, and machine position information, aiming at providing a speedy and highly efficient service and enhancing security.

EFFICIENCY

Eco Mode

Switching to this controls the engine speed for efficiency and greatly reduces fuel consumption.



Auto deceleration

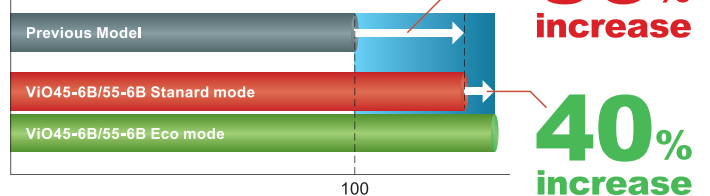
Switching the operating levers to neutral automatically drops the engine rpm and reduces on both fuel consumption and noise.

Improved fuel combustion efficiency

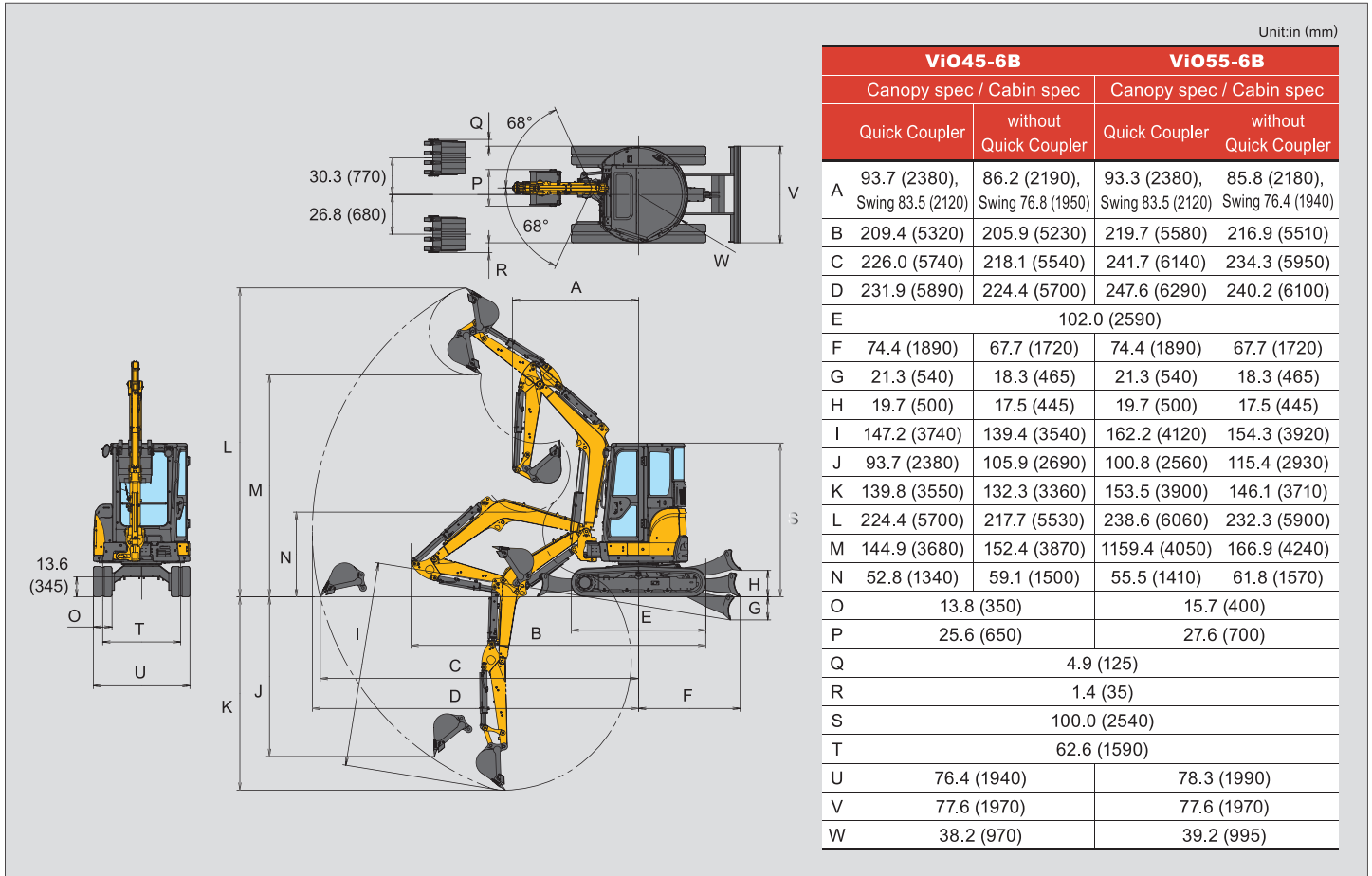
You will see 30% fuel savings against previous models, thanks to our new hydraulic system that increases hydraulic circuit efficiency and the energy savings from our electronically controlled engines.

Amount of work per liter

Work condition : Digging and dumping work.



Dimensions



Specifications

Model			ViO45-6B				ViO55-6B			
Spec			Canopy		Cabin		Canopy		Cabin	
Type			Quick Coupler	without QuickCoupler	Quick Coupler	without QuickCoupler	Quick Coupler	without QuickCoupler	Quick Coupler	without QuickCoupler
Operating Weight	Rubber track	lbs (kg)	10373 (4705)	10152 (4605)	10748 (4875)	10527 (4775)	11806 (5355)	11585 (5255)	12203 (5535)	11982 (5435)
	Steel track	lbs (kg)	10659 (4835)	10439 (4735)	11034 (5005)	10814 (4905)	11872 (5385)	11651 (5285)	12269 (5565)	12048 (5465)
Engine	Type	-	Vertical four cylinder water-cooled direct injection diesel engine							
	Model	-	YANMAR 4TNV88-ZPBV				YANMAR 4TNV84T-ZMBV			
	Rated output	hp (kW) / rpm	39.7 (29.6) / 2400				48.4 (36.1) / 2600			
	Maximum output at high idle speed, gross (High idle speed is limited by the engine control unit.)	hp (kW) / rpm	37.7 (28.1) / 2200				44.8 (33.4) / 2200			
Performance	Max digging force, Bucket	lbf (kN)	6497 (28.9)	8206 (36.5)	6497 (28.9)	8206 (36.5)	7464 (33.2)	9419 (41.9)	7464 (33.2)	9419 (41.9)
	Traveling speed, high / low	Rubber track	2.9 (4.6) / 1.5 (2.4)				2.6 (4.2) / 1.4 (2.2)			
		Steel track	2.7 (4.3) / 1.3 (2.1)				2.4 (3.9) / 1.2 (2.0)			
	Swing speed	rpm	10							
Average ground pressure, standard crawler	Rubber track	PSI (kPa)	4.25 (29.3)	4.16 (28.7)	4.41 (30.4)	4.32 (29.8)	4.24 (29.2)	4.15 (28.6)	4.38 (30.2)	4.29 (29.6)
	Steel track	PSI (kPa)	4.42 (30.5)	4.34 (29.9)	4.58 (31.6)	4.50 (31.0)	4.31 (29.7)	4.24 (29.2)	4.45 (30.7)	4.38 (30.2)
Hydraulic System	Hydraulic pump displacement	GPM (L / min)	11.2 (42.5) X2 / Variable displacement pump 9.8 (37) X1, 2.9 (10.8) X1 / Gear pump				12.1 (45.8) X2 / Variable displacement pump 9.8 (37) X1, 2.9 (10.8) X1 / Gear pump			
	System relief set pressure	PSI (MPa)	3553 (24.5)X2, 3133 (21.6)X1, 566 (3.9)X1				3553 (24.5)X2, 3553 (24.5)X1, 566 (3.9)X1			
Fuel tank capacity		lit	66							

YANMAR CONSTRUCTION EQUIPMENT CO.,LTD.

OVERSEAS SALES DEPT.
MARKETING & SALES DEPT.
1717-1, Kumano, Chikugo, Fukuoka 833-0055, Japan
Tel: +81-942-53-5465 Fax: +81-942-53-5132
yanmar.com

All data subject to change without notice.