



For Earth, For Life  
Kubota

## KUBOTA POWER UTILITY EXCAVATOR

# KX

# KX080-4

Kubota's flagship 8-ton Power Utility Excavator combines performance with superior digging force.



# AB

FLOAT ANGLE BLADE

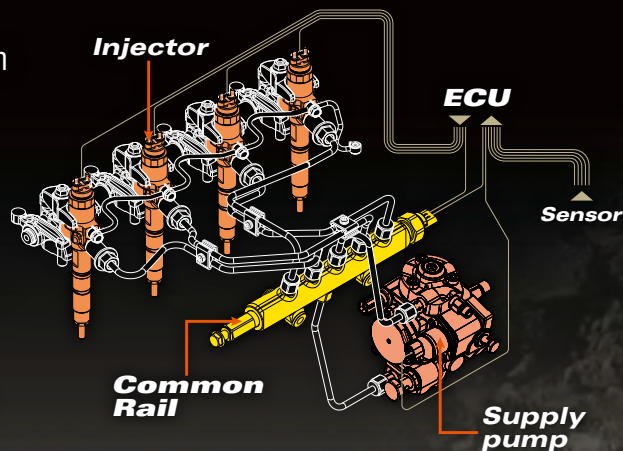
**Kubota's largest and most advanced  
Power Utility Excavator. Heavy-duty  
strength meets clean-running performance!**

# CLEAN AND POWERFUL EXC

Kubota's CRS engine gives you the high torque you need to power through any tough task. The CRS electronically controls the timing and amount of fuel injection to lead to less engine noise and better fuel efficiency. In addition, the CRS helps reduce emissions and makes the KX080-4 EPA Tier IV-compliant.

## Common Rail System and Diesel Particulate Filter (DPF) Muffler

The Common Rail System (CRS) electronically controls the fuel injection timing and amount in stages rather than all at once for optimal combustion. The results are great efficiency, better fuel economy and less engine noise. Its combination with the Exhaust Gas Recirculation (EGR) and Diesel Particulate Filter (DPF) Muffler reduces emissions to make the KX080-4 Tier IV-compliant.



## Automatic regeneration system

Kubota's original automatic regeneration system automatically burns accumulated particulate matter (soot) in the DPF muffler to keep the muffler clean for longer operation. For safety reasons, automatic regeneration can be turned off with the inhibit switch when the excavator is operating in areas that are prone to fires.



# AVATOR



## Introducing ECO PLUS

Kubota's original ECO PLUS prioritizes fuel economy, and supports the environment.

For tough digging applications, use Standard Mode and experience a 5% productivity improvement over the prior model and use less fuel, up to 12% less.

Activate Eco Mode with the flick of a switch for up to 7% fuel savings over Standard Mode.



Eco Mode Switch



Eco Mode Indicator

### STANDARD MODE

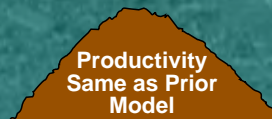
- Improved Productivity
- Lower Fuel Consumption

*Compared to Prior Model*



### ECO MODE

- Focus on Lower Fuel Consumption



*\*Compared to Standard Mode*

An array of functions makes operations easier for a variety of tasks.

# WORKING PERFORMANCE

## Proportional Flow Control of Auxiliary Circuits (AUX1/2) and Maximum Oil Flow Settings

An auxiliary circuit (AUX2) comes standard on the KX080-4. The convenient thumb-operated switch allows easy proportional flow control of the auxiliary circuit, while a forefinger-operated on/off switch enables simple operation of special applications that require a constant oil flow. The maximum oil flow setting is conveniently adjustable from the digital panel. You can even program up to five oil flow rates corresponding to specific attachments so they can be quickly retrieved for the next job.



## Adjustable Maximum Oil Flow Control for Auxiliary Port

This unique function lets you control the oil flow and eliminates the hassle of using tools to change settings manually. The system will even store your settings for the next time you need it. Adjustable oil flow enhances performance and saves fuel.

## Auto Idling System

Save fuel with Kubota's Auto Idle. Reduce engine RPM instinctively when high engine speed isn't needed. When the control levers are in neutral for more than 4 seconds, the engine RPM automatically idles. Move any control lever and the engine RPM immediately returns. This innovative feature reduces noise and exhaust emissions while reducing operating costs.





# Hydraulic Angle Blade (option)

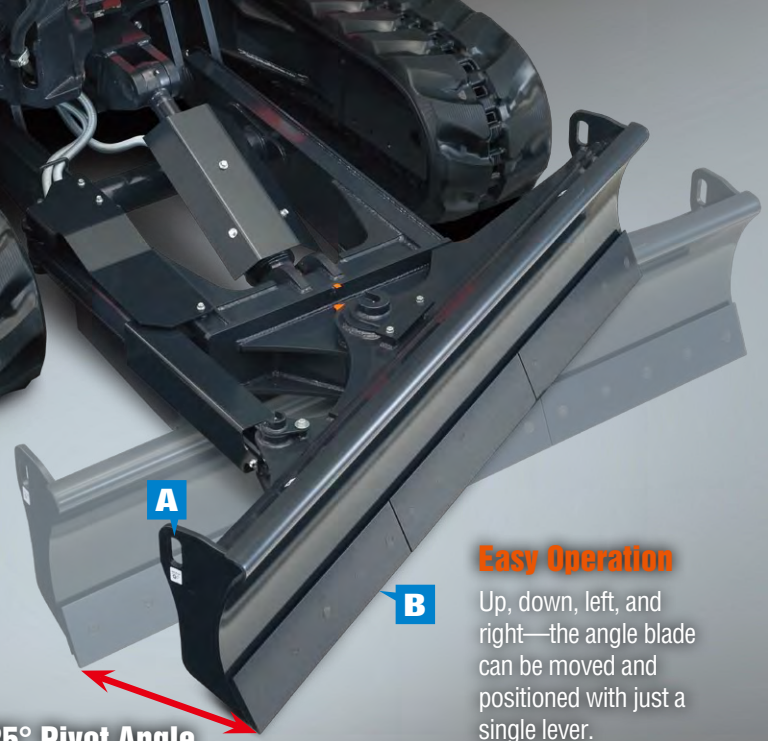
Save time and work more efficiently. With a simple movement of the dozer lever, the hydraulic angle blade can be angled to the right or left to push soil to the side as the machine moves forward, eliminating the need for repetitive repositioning at right angles when backfilling trenches.

## Float Position

You don't need to adjust the dozer height to make a clean ground surface—after backfilling, just travel backward along the covered ditch with the dozer in the float position. Ground finishing work is now fast and easy!



7' 2.6" (2,200 mm)



## Easy Operation

Up, down, left, and right—the angle blade can be moved and positioned with just a single lever.

25° Pivot Angle

## A. Durable Fixed Hook

The thick side plate of the angle blade enhances the strength of the fixed hook. The hole is enlarged to accommodate thicker chains for a more secured tie-down.

## B. Bolt-on Cutting Edge\*

The cutting edge protects the angle blade during heavy-duty dozing operations. The reversible cutting edge is divided into three sections to easily invert the edge for continued use.

*\*Standard on Angle Blade models.*



# Tight Tail Swing and Compact Machine Width

Thanks to its contoured, tight tail design created by the shorter rear overhang, the KX080-4 has excellent stability, can handle a wider range of loads, and can work in more restrictive spaces. The compact 7'2.6" width of the under-carriage makes it ideal for working in close conditions, and much easier to transport between job sites.

## Industrial Digging Force

You need exceptional power when trenching through compacted soil. With the KX080-4, elevated productivity levels are certain with the combination of 14,660 lbs. bucket force and 8,554 lbs. arm forces. The KX080-4 powers through those demanding applications so that you can quickly move on to the next job.

## Auto-Shift

Now your excavator moves how you want it to—even at high speeds. When working with heavy loads, making turns or backfilling trenches, the system automatically downshifts for more torque. This shift is so smooth and seamless you'll feel as though you've never left high speed.

## 3-pump Load-Sensing Hydraulic System

Kubota's load-sensing hydraulic system guarantees smoother handling, regardless of load size. It allows hydraulic oil to flow according to your precise needs. The KX080-4's new 3-pump load-sensing system also allows you to perform simultaneous operations, such as dozing and utilizing front attachments, without losing speed.

## New Digital Panel

Informative, interactive and functional, Kubota's Intelligent Control System LCD panel accurately displays timely diagnostic readings and routine maintenance alerts. You'll be kept informed of your current working conditions, engine RPM, temperature and oil levels. These new features help reduce downtime and costly repair fees.



# DELUXE INTERIOR

A spacious cab and new digital panel bring comfort to any job.



## Easy-open Front Window

Unlike many excavator windows, the front glass window of the KX080-4 opens with ease. Just flip the latch on the side of the window and slide it up. A gas-assist mechanism makes this action almost effortless.



B

# New Air Conditioner

Overall air circulation in the cab has been improved, thanks to a stronger cooling/heating unit and the positioning of six vents. Airflow is also directed towards the operator's face for better all-round comfort.



## A. Deluxe Suspension Seat

Designed and engineered with comfort in mind, Kubota's high-back suspension seat reduces strain and minimizes operator fatigue. It reclines to accommodate your individual posture, and offers weight compensation, firm wrist support and retractable seat belts.

## B. Cup Holder

With the convenience of a bigger cup holder, you can quench your thirst and work longer without leaving the cab. Or store your cell phone. The charging port is located conveniently close by.

## C. Movable Console

Raise the safety control lever and the console moves with it, providing more room for entry and exit. To prevent unexpected machine movement during entry or exit, all control levers are then disabled until the console is back in place.

## D. TPSS

The Two-Pattern Selection System can shift control styles, whether it's the ISO pattern or the SAE backhoe pattern, with the simple turn of a switch.



## Window Guard (Optional)

Operators need protection from flying chips and debris when using some attachments. On some sites anti-vandalism is important. Kubota provides the window guard mounting points around the front window as a standard feature.

## Advanced Visibility Mirrors

Kubota has reshaped the rear-view mirror to offer a wider range of visibility. Together with the two side-view mirrors, you get a better view of your worksite, as well as your immediate surroundings.



## Cab Guttering

The KX080-4 now features a guttering system to the cab's roof. This helps prevent rainwater from entering the cab, even when the window is open on a rainy day.

### Two-Piece Hose Design

Kubota's innovative two-piece hose design for the dozer blade reduces hose replacement time by nearly 60% compared to non-joint types. This design virtually eliminates the need to enter the machine for maintenance.

### Underbody Cover

The underbody beneath the engine features a mesh cover to prevent gravel and soil from entering.

### Steel Crawler (Optional)

A rugged steel crawler is an excellent option for using your KX080-4 on worksites that may compromise the durability or integrity of the standard rubber crawler. In addition to an 18-inch crawler, an extra-wide 24-inch model is available for increased floatation.

# MAINTENANCE & SAFETY

## Designed for dependability, built to last.

### One-sided Engine Maintenance

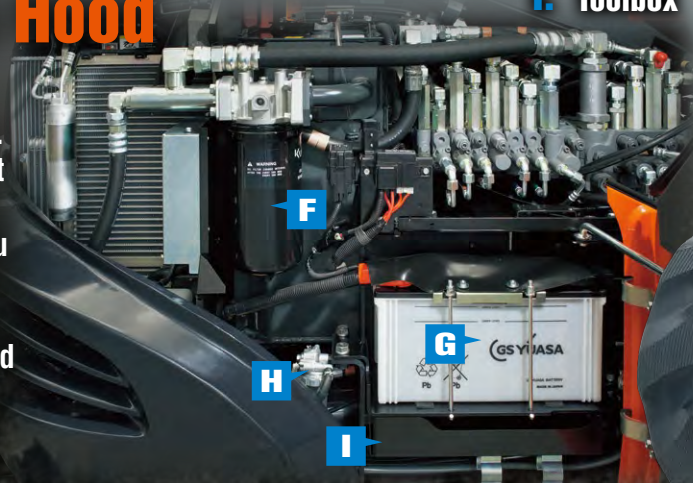
- A. Dual Element Air Cleaner
- B. DPF Muffler
- C. Fuel Filter
- D. Alternator
- E. Starter Motor



- F. Oil Filter
- G. Battery
- H. Water Separator
- I. Toolbox

### Triple Opening Hood

All three of the excavator's access panels can open at once. This allows you to easily inspect and view the centrally located components of the KX080-4. You can easily access the hydraulic components under the center hood, or the battery, oil filter and tool box under the right hood. Maintaining your excavator has never been this easy.





## Swivel Negative Brake

The swivel negative brake automatically locks the swivel function in its current position. This prevents unexpected machine movement. It's particularly useful during work on inclines or when transporting the excavator between worksites.

## Variable Speed Fan

The variable speed fan drive provides the right amount of cooling efficiency by regulating the engine fan speed according to the ambient temperature after the air passes through the radiator. The benefits are reduced fan noise and fuel savings through effective use of engine output.

## Double Structure Muffler

The double structure muffler controls increases in muffler temperature caused by automatic regeneration of the DPF.

## ROPS/OPG (TOP Guard, Level I)

The OSHA-certified ROPS/OPG (TOP Guard, Level I) provides protection in the event of accidental rollovers and falling objects.



# NEW DIGITAL PANEL



- A. Hour Meter
- B. Coolant Temperature
- C. Clock
- D. Fuel Level
- E. Engine RPM



Following the excellence of Kubota's Intelligent Control System, the new digital panel puts convenience at the operator's fingertips. Featuring easier button operation, the user-friendly digital panel is positioned to the front right corner of the operator. This operator-facing wider display greatly improves visibility. With easier access, simpler settings, easy-to-read indicators and alerts, you'll always be aware of the excavator's functioning status.

## Operation History Record

Operation history is automatically recorded on the KX080-4. You can trace back up to 90 days of the machine's usage dates by simply checking the built-in calendar.



Service Mode



Warning Mode



Operation History Record



Max. Oil Flow Setting (AUX1 and AUX2)

## Automatic regeneration mode

The automatic regeneration system automatically burns particulate matter (soot) that accumulates in the diesel particulate filter (DPF) muffler. The soot is burned when the engine is operating at sufficient speed for regeneration. If the engine speed is lower than the required level for regeneration, the indicator requests an increase in the engine speed to keep the accumulation level low and the DPF clean. A service call or DPF filter replacement is required when the accumulated soot reaches a level that reduces the engine speed.



# KX080-4 OPTIONS

## STANDARD EQUIPMENT

### Safety system

- Engine start safety system
- Travel motor with disc brake
- Swivel motor with disc brake
- All hydraulic control

### Working equipment

- Auxiliary hydraulic circuit 1 and 2 (proportional control)
- 2 working lights on cab and 1 light on the boom
- Thumb bracket and relief valve

### Operator's space

- Cab with A/C
- Digital panel with diagnosis function
- Weight-adjustable full suspension seat
- Retractable seat belt

- Hydraulic pilot control levers with wrist rests
- Travel levers with foot pedals
- Two pattern selection system
- 12V power source
- Cup holder
- Horn

### Engine/Fuel system

- Double element air filter
- Auto idling system
- Water separator

### Undercarriage

- Dozer blade with float function
- 17.7" (450mm) rubber track
- 1 x upper track roller
- 5 double-flange track rollers on each side
- 2-speed travel switch on dozer lever
- 2-speed travel with auto-shift

### Hydraulic system

- Pressure accumulator
- Hydraulic pressure checking ports
- Third line hydraulic return
- 3-pump load sensing system
- Adjustable maximum oil flow on auxiliary hydraulic circuits 1 and 2

### Others

- Tool box
- Grease gun holder

## OPTIONAL EQUIPMENT

- Beacon lights
- 17.7" (450mm) steel track
- Angle blade with float function and BOE
- Travel alarm

# The possibilities are nearly endless with our full range of implements.

Implements are the key to getting the most out of your excavator. Use the ones listed below to greatly expand your machine's capabilities. Or, use your own. The Kubota KX080-4 allows you to attach excavator implements you may already have—even ones without a Kubota name on it.



● Hydraulic Thumb



● Excavating Rake



● Grading Bucket



● Ripper

● Hydraulic Breaker

● Grading Blade

● Compaction Wheel

● Vibratory Compactor

● Tilt Bucket

● Auger

● Grapple

● Brush Cutter

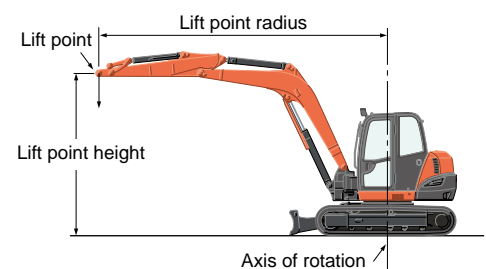
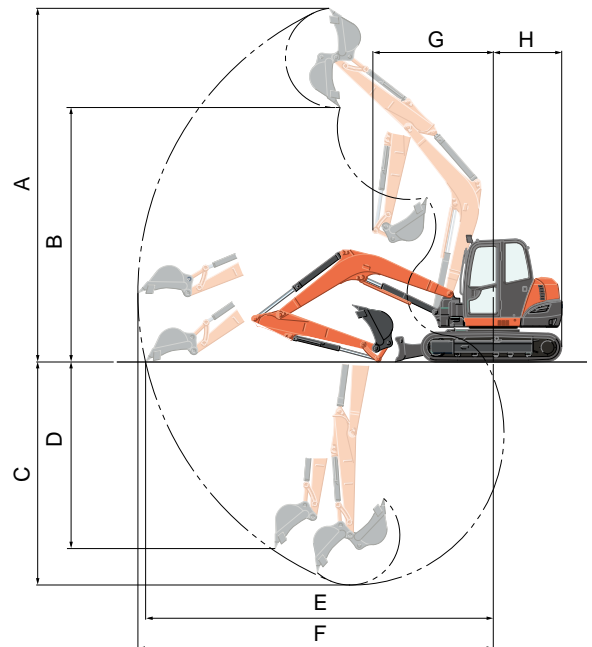
## WORKING RANGE

Model			KX080-4	
A	Max. digging height	ft. in. (mm)	23'11.4" (7300)	
B	Max. dumping height	ft. in. (mm)	17'2.7" (5250)	
C	Max. digging depth	ft. in. (mm)	15'1.1" (4600)	
D	Max. vertical digging depth	ft. in. (mm)	12'7.6" (3850)	
E	Max. digging radius at ground	ft. in. (mm)	23'6.3" (7170)	
F	Max. digging radius	ft. in. (mm)	24'0.6" (7330)	
G	Min. turning radius	W/O swing	ft. in. (mm)	8'2.0" (2490)
		W swing	ft. in. (mm)	6'6.7" (2000)
H	Min. tail turning radius	ft. in. (mm)	4'9.5" (1460)	

## LIFTING CAPACITY

LIFT POINT HEIGHT (ft)	LIFTING CAPACITY OVER-FRONT BLADE DOWN unit=1000 lbs				LIFTING CAPACITY OVER-SIDE unit=1000 lbs		
	LIFT POINT RADIUS (ft)			LIFT POINT RADIUS (ft)			
	12	18	MAX	12	18	MAX	
GL	12	3.6	3.4	3.4	3.6	2.1	1.9
	8	5.0	3.7	3.5	3.6	2.0	1.6
	4	6.5	4.0	3.5	3.5	1.9	1.5
	0	7.2	4.2	3.6	3.2	1.8	1.6

Machine with cabin and rubber crawler, without bucket

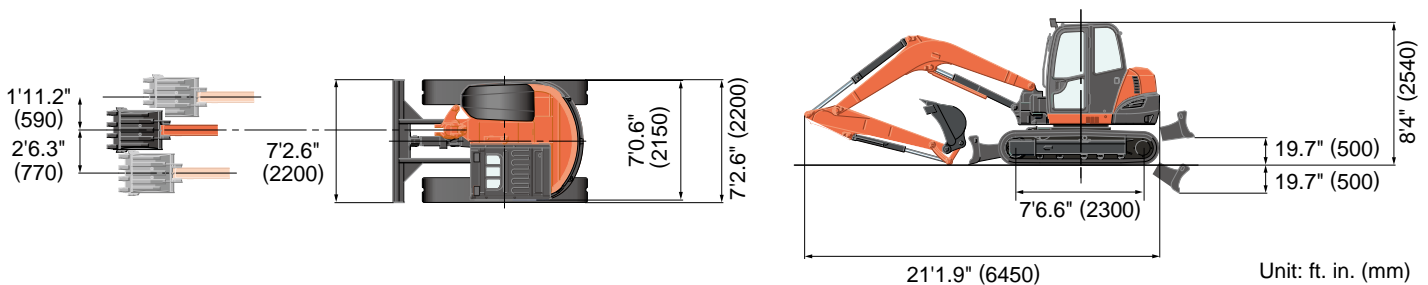


## SPECIFICATIONS

Model		KX080-4	KX080-4 Angle Blade
Type of cabin		ROPS / OPG (TOP Guard, Level I)	
Type of tracks		Rubber / Steel	
Engine	Model	Kubota V3307-CR-TE4	
	Output (SAE J1995 gross)	HP (kW)/rpm	66.6 (49.7) / 2000
	Output (SAE J1349 net)	HP (kW)/rpm	62.3 (46.5) / 2000
	Displacement	cu. in. (cc)	203.3 (3331)
Dimensions	Overall length	ft. in. (mm)	21'1.9" (6450)
	Overall height	ft. in. (mm)	8'4" (2540)
	Overall width	ft. in. (mm)	7'2.6" (2200)
	Min. ground clearance	in. (mm)	15.4" (390)
Hydraulic system	Pump capacity	GPM (ℓ/min)	19.0 (72.0) Variable × 2 / 17.6 (66.6) Gear × 1
	Auxiliary hydraulic flow	GPM (ℓ/min)	26.4 (100) / 17.6 (66.6)
	Max. breakout force	Bucket / Arm lbf. (kgf)	14660 (6650) / 8554 (3880)
Drive system	Travel speed	Low / High mph (km/h)	1.7 (2.7) / 3.1(4.9)
	Max. traction force	Low speed lbf. (kgf)	14615 (6630)
	Tumbler distance	ft. in. (mm)	7'6.6" (2300)
	Crawler length	ft. in. (mm)	9'6.2" (2900)
	Shoe width	Rubber / Steel in. (mm)	17.7" (450) / 17.7" (450)
	Ground contact pressure	Rubber / Steel psi (kgf/cm <sup>2</sup> )	5.23 (0.367) / 5.35 (0.376)      5.47 (0.385) / 5.60 (0.394)
Swing system	Unit swing speed	rpm	9.5
	Boom swing angle	Left / Right degree	70 / 60
Blade	Dimensions	Width ft. in. (mm)	7'2.6" (2200)
		Height ft. in. (mm)	1'7.7" (500)      1'8.1" (510)
	Max. lift above ground	in. (mm)	19.7" (500)      22.8" (580)
	Max. drop below ground	in. (mm)	19.7" (500)      25.2" (640)
	Angle	degree	—      25
Hydraulic oil (reservoir / system)		gal (ℓ)	19.8 (75) / 35.7 (135)
Fuel reservoir		gal (ℓ)	30.4 (115)
Operating weight (Including operator's weight @ 175 lbs.)		Rubber / Steel lbs. (kg)	18280(8290) / 18390 (8340)      19140(8680) / 19250 (8730)

The company reserves the right to change the above specifications without notice. This brochure is for descriptive purposes only. Please contact your local Kubota dealer for warranty information. For your safety, Kubota strongly recommends the use of a Rollover Protective Structure (ROPS) and seat belt for almost all applications.

## DIMENSIONS



©2012 Kubota Corporation



### KUBOTA TRACTOR CORPORATION

Kubota Tractor Corporation, 3401 Del Amo Boulevard, Torrance CA 90503  
 Western Division: 1175 S. Guild Ave., Lodi, CA 95240 Tel (209) 334-9910  
 Central Division: 14855 FAA Boulevard, Fort Worth, TX 76155 Tel (817) 571-0900  
 Northern Division: 6300 at One Kubota Way, Groveport, OH 43125 Tel (614) 835-1100  
 Southeast Division: 1025 Northbrook Parkway, Suwanee, GA 30024 Tel (770) 995-8855

Visit our web site at: [www.kubota.com](http://www.kubota.com)

