

**ViO30-6B**  
20.4kW(27.7PS)

**The New ViO debuted with innovative zero tail swing technology**

**Fuel Efficient, Eco-Friendly and yet Highly Productive**

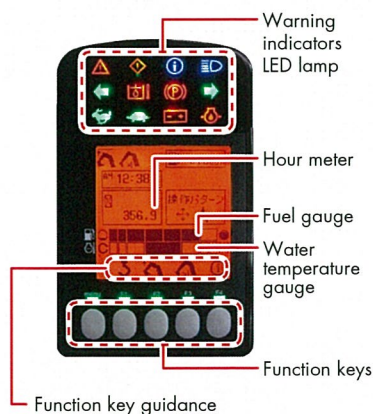


**ADVANCED PRODUCT SUPPORT WITH NEW OPERATION CONTROL SYSTEM**

The new ViO comes with the operation control system that enables operator to monitor the operation history of past 3 months.

**Yanmar Smart Assist can be set as an option**

The system performs centralized control of machine operation information, maintenance support information, and machine position information, aiming at providing a speedy and highly efficient service and enhancing security.



**COMFORT AND SAFETY**

Spacious operator space is fully equipped with various convenient features that provide operator with maximum comfort. Fully protected cabin/canopy allows operator to dive into toughest working conditions with great confidence.

- Cabin and canopy complies with the international standards of ROPS/FOPS

**SUFFICIENT MAINTENANCE GIVES YOU GREATER DURABILITY**

With the new ViO design almost every major component can be accessed with one touch for your daily check and maintenance. Troublesome maintenance is now a thing of the past. Take satisfaction in quicker checks and the advanced durability they produce.



With one touch operator can access to major components for maintenance



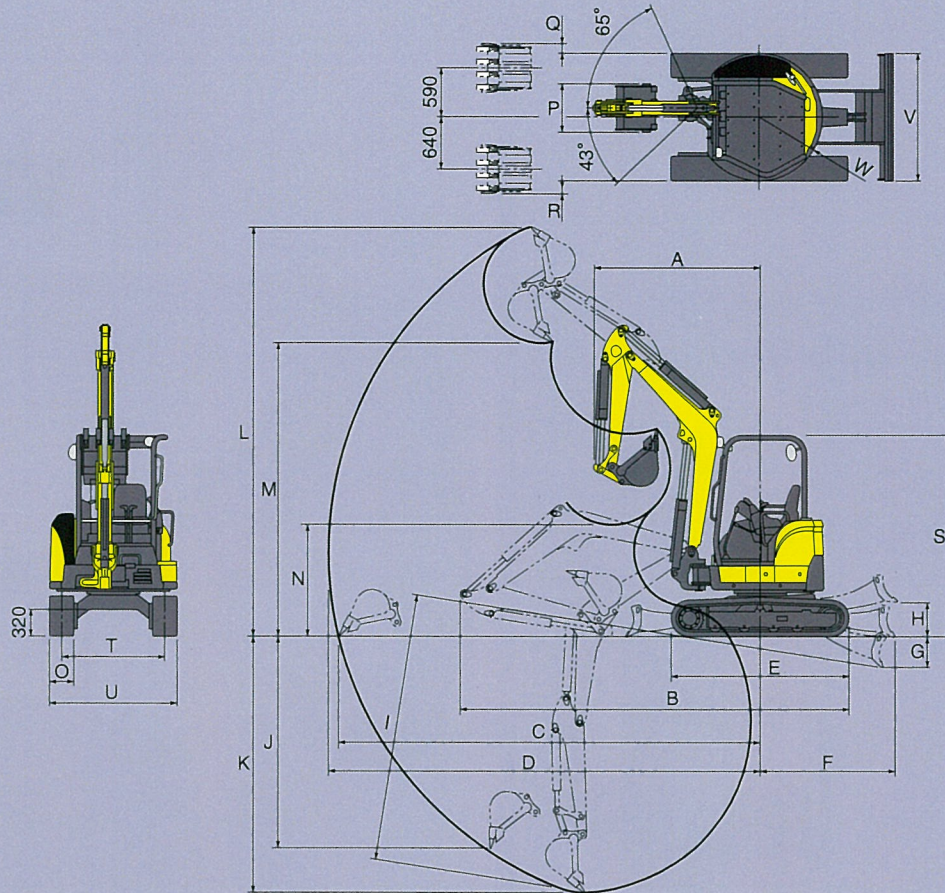
Maintenance of engine became easier than ever, just lift the seat.

**FUEL ECONOMY IMPROVED BY 20%**

The new model can achieve 20% less fuel consumption comparing to previous model due to electronically controlled Yanmar engine and newly developed high efficient hydraulic system. In addition, auto decel and eco modes enable operator work even more efficient.

## Dimensions

### CANOPY



Model	Specification	A (swing)	B	C	D	E	F	G	H	I	J	K	L	M	N	O	P	Q	R	S	T	U	V	W
Without Quick coupler	Canopy	2050	4470	4730	4870	2160	1480	325	375	2950	2290	2820	4550	3160	1230	300	540	85	135	2500	1250	1550	1550	775
	Cabin	(1840)																		2460				
Quick coupler	Canopy	2200	4520	4890	5020	2160	1480	325	375	3110	2160	2970	4710	3010	1110	300	540	85	135	2500	1250	1550	1550	775
	Cabin	(1980)																		2460				

## Specifications

Model		VIO30-6B					
		CANOPY		CABIN			
		Quick coupler	without Quick coupler	Quick coupler	without Quick coupler		
Operating weight	Rubber track	(lbs)[kg]		7000[3175]	6890[3125]	7308[3315]	7198[3265]
	Steel track			7220[3275]	7110[3225]	7529[3415]	7419[3365]
Engine	Engine Type	Vertical, 4-stroke Cycle, Water Cooled, Direct Injection Diesel					
	Engine model	3TNV88-ZSBV					
	Rated Output	(kW/min <sup>-1</sup> ) 20.4/2200					
	Rated Output	(PS/rpm) 27.7/2200					
Performance	Max. Breakout Force [Bucket]	(kN[kgf])		23.5[2400]	29.9[3050]	23.5[2400]	29.9[3050]
	Travel Speed Hi/Low	(km/h) 4.5/2.7					
	Swing speed	(min <sup>-1</sup> [rpm]) 10.5					
	Ground contact pressure Rubber Track	(kPa[kgf/cm <sup>2</sup> ])		29.3[0.299]	28.9[0.295]	30.6[0.312]	30.1[0.307]
	Ground contact pressure Steel Track	(kPa[kgf/cm <sup>2</sup> ])		30.2[0.308]	29.8[0.304]	31.4[0.321]	31.0[0.316]
Hydraulic system	Pump capacity	(L/min) 37.4×2 + 20.9×1 + 9.9×1					
	PTO Combined Flow	58.3					
	Main relief set pressure	(MPa[kgf/cm <sup>2</sup> ]) P1,P2:20.6[210]×2 P3:19.6[200]×1					
Under carriage	Track type	Rubber or Steel					
Blade	Width × Height	(mm) 1550×330					
Fuel tank	Capacity	(L) 41					

**YANMAR CONSTRUCTION EQUIPMENT CO.,LTD.**

OVERSEAS SALES DEPT.  
MARKETING & SALES DEPT.  
1717-1 Kumano, Chikugo, Fukuoka 833-0055, JAPAN  
TEL:+81-942-53-5465 FAX:+81-942-53-5132  
<http://www.yanmar.co.jp/en/>

All data subject to change without notice.